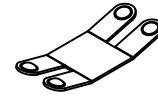
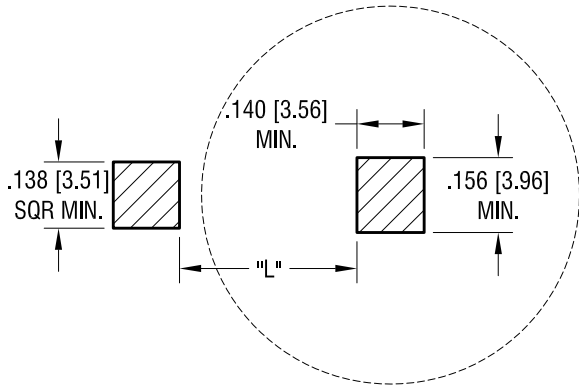
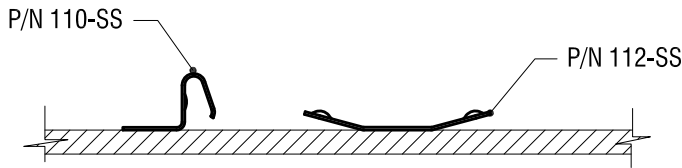


THIS DOCUMENT IS THE PROPERTY OF  
KEYSTONE ELECTRONICS CORP. AND  
SHALL NOT BE REPRODUCED, DISTRIBUTED  
OR USED AS A BASIS FOR MANUFACTURE  
WITHOUT PRIOR WRITTEN PERMISSION  
FROM KEYSTONE ELECTRONICS CORP.

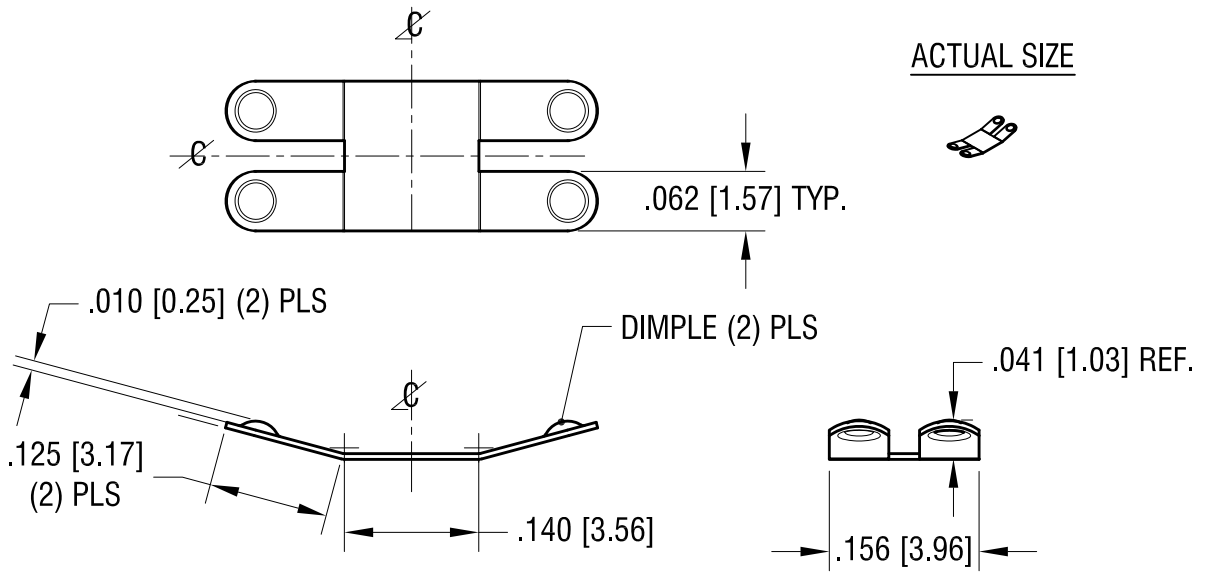


**MTG LAY OUT WHEN USE WITH P/N 9-110-SS**

BATTERY DIA.	L
16mm	.291 [7.4]
20mm	.370 [9.4]
23mm	.429 [10.9]
24mm	.448 [11.4]



**ACTUAL SIZE**



**KEYSTONE ELECTRONICS CORP.**

www.keyelco.com • ASTORIA, N.Y. 11105-2017 • Tel (718) 956-8900

PART NAME		NEGATIVE BATTERY CONTACT	
MATERIAL		.006 [0.15] TH'K STAINLESS STEEL	
FINISH		DRN BY	DATE
GOLD PLATE		NT	10.27.14
		APP'D	SCALE
		LN	5X
TOLERANCES	INCH [MM]	CODE	DWG NO.
DECIMAL	± .005 [± 0.13]	C	112-SS
ANGULAR	± 1°		
UNLESS OTHERWISE SPECIFIED			

DATE	DESCRIPTION	REV.